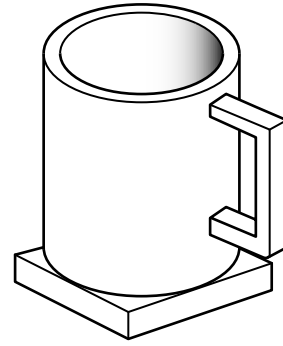


**Section A**

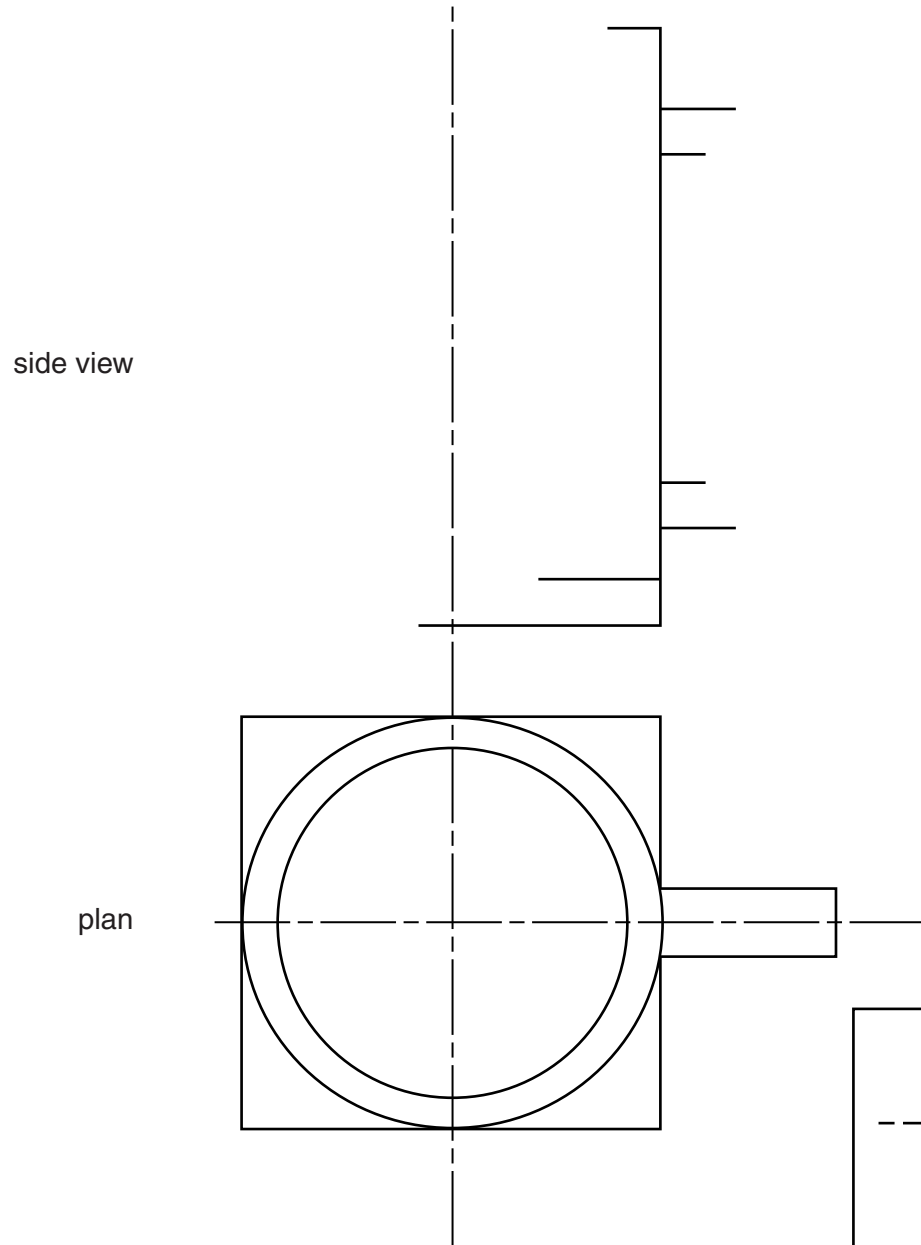
Answer **all** questions in this section.

A sketch of a coffee mug with a square base is shown on the right.



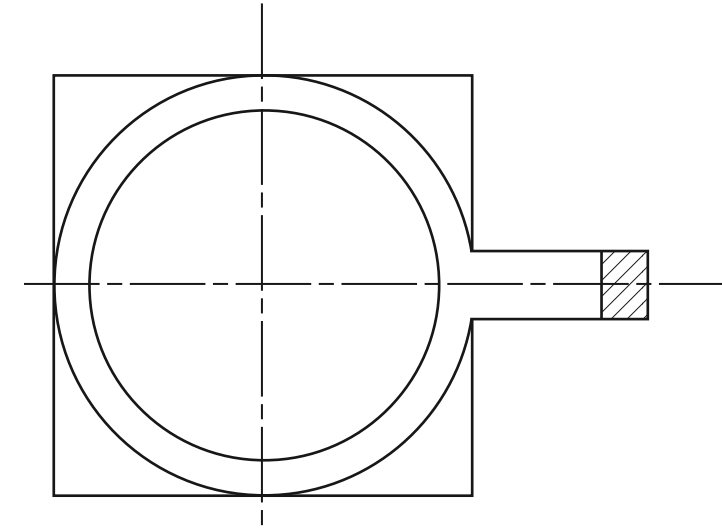
**A1 (a)** Complete the scale 1 : 2 orthographic views of the coffee mug by:

- (i) adding the missing lines to the side view; [5]
- (ii) adding one dimension to the plan; [2]
- (iii) adding the projection symbol in the given box. [3]



**A2 (a)** Complete the sectional plan view of the coffee mug below.

[2]



**(b)** A design is printed on the coffee mug in thermochromic ink. Describe how the thermochromic ink adds interest to the coffee mug.

.....

.....

.....

.....

.....

.....

.....

.....

.....

.....

[2]

**0445/22** May/June 2015 **1 hour**  
© UCLES 2015 DC (ST/FD) 109132

Centre Number ..... Candidate Number ..... Candidate Surname ..... Other Names ..... **[Turn over]**

For Examiner's use

